



SKM2430 Motor Controller

SKM2430 motor controllers are a low cost, high performance solution for pump motor control applications including scissor lifts, lift trucks, mobile booms, or any pumping application where 24-volt, series motor, speed control is employed. The SKM2430 controller can replace origin Curtis controller. The controller can setting the throttle deadband by handheld programmer for different generation Genie control box.

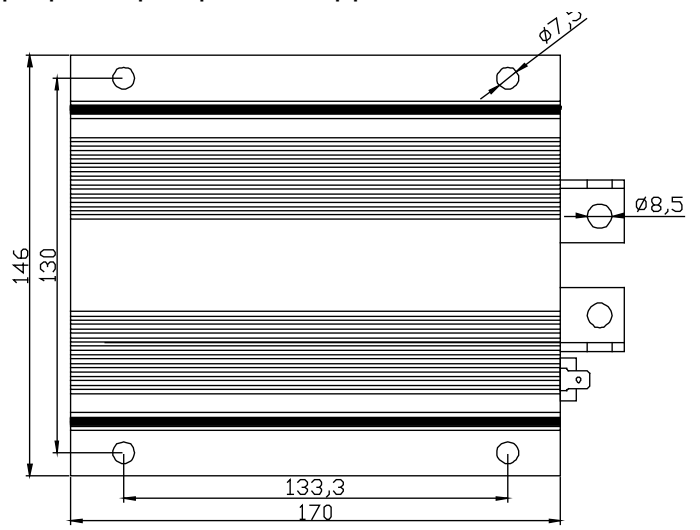
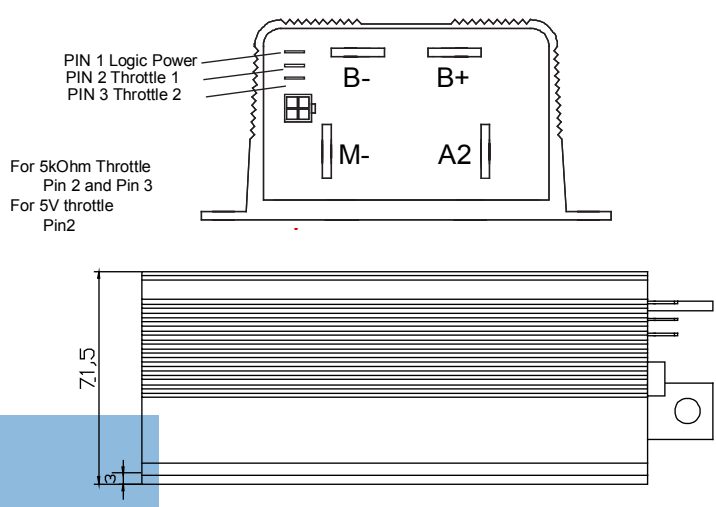


Features :

- Current limiting: 275 Amps
- Operating voltage: 24 Volts DC
- Input voltage range: 0 to 5 Volts DC
- Over/Under voltage, Over/low Temperature, Real time current protect.

Applications :

- Material handling lifts
- Scissor lifts
- Lift trucks
- Mobile booms
- Appropriate pump motor applications



www.starstw.com

STARS CO., LTD.

NO. 16-13, LN. 200, SHANGZHU RD. LUZHU TOWNSHIP, TAOYUAN, TAIWAN R.O.C.
TEL: 886-3-3131033
Info: info@starstw.com